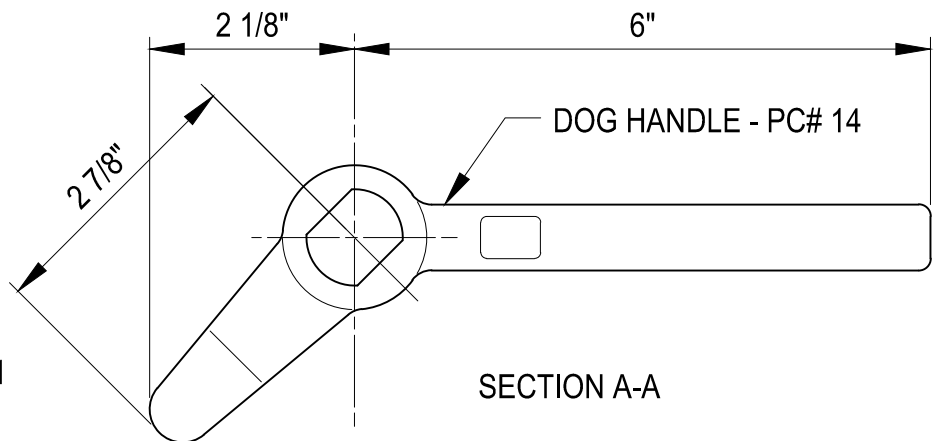
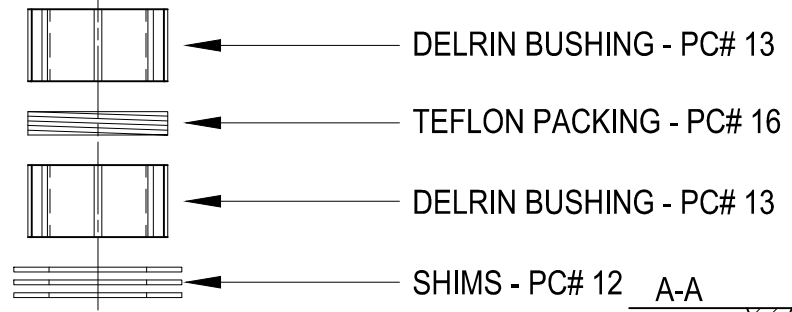


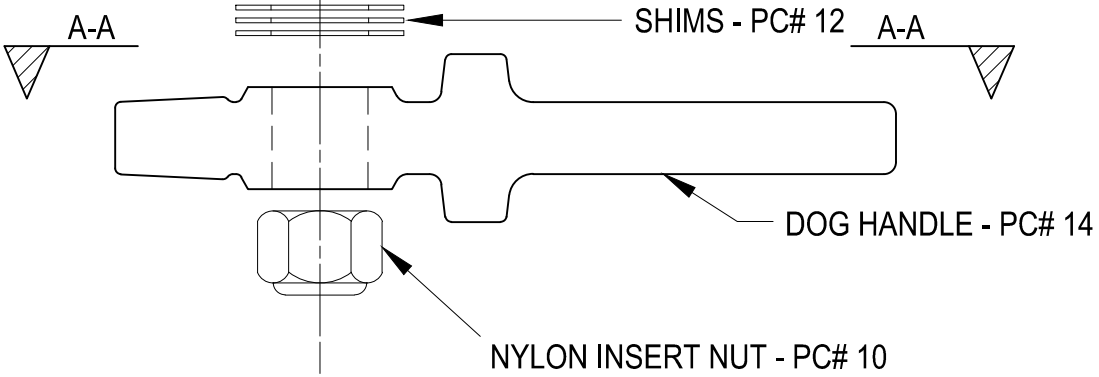
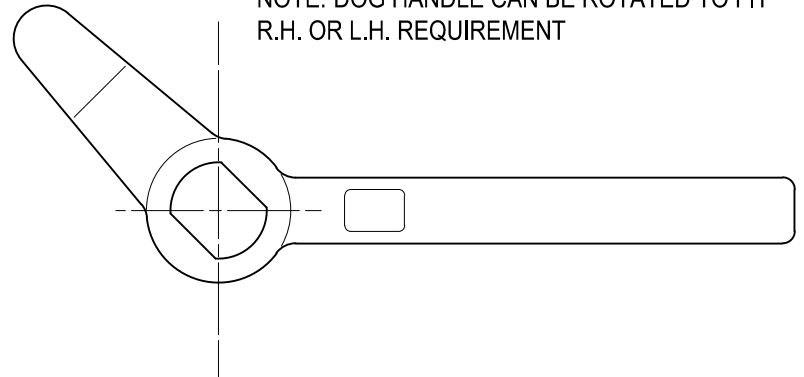
DOG STUD - PC# 11

2 - 3/4" FLATS

5 1/2"



NOTE: DOG HANDLE CAN BE ROTATED TO FIT R.H. OR L.H. REQUIREMENT



SIDE VIEW

HATCH DOG REPLACEMENT ASSEMBLY

AVAILABLE IN:
 DOG STUD - BRASS OR STAINLESS
 DOG HANDLE - BRASS OR ALUMINUM
 ASSY.# RD211-HEX
 REF. DWG# 211

THIS SLOTTED HEAD STUD WAS DISCONTINUED ON 02-16-15

<i>CEN-TEX MARINE FABRICATORS, INC.</i>
SMITHVILLE, TEXAS
FLUSH HATCH DOG REPLACEMENT ASSEMBLY
DWG. NO.: RD211-SLOT