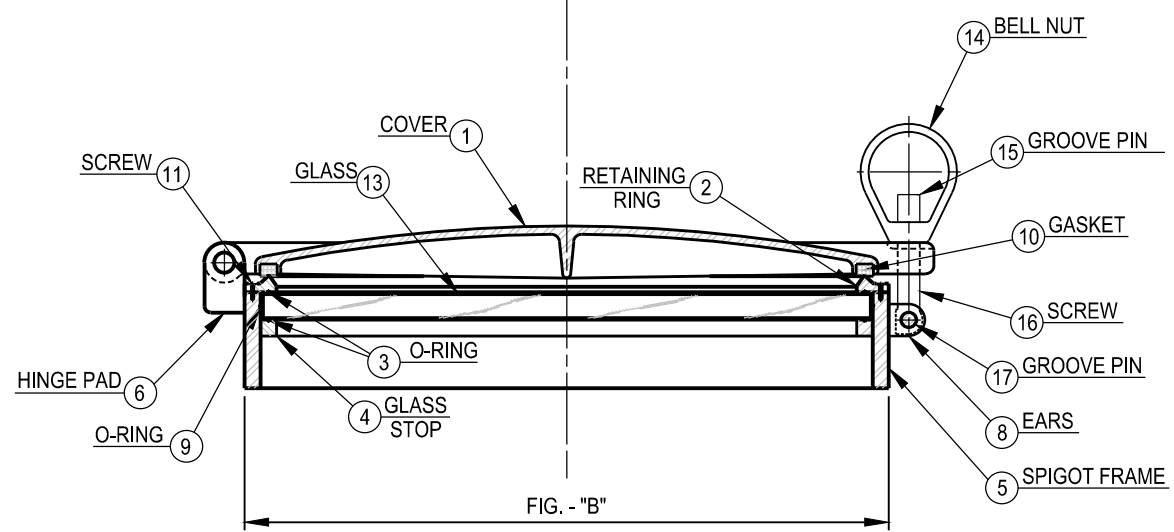


PLAN



SECTION

SCHEDULE OF MATERIALS		
PC.	MATERIAL	REMARKS
1	ALUMINUM	
2	BRASS	
3	NEOPRENE	3/16"Ø
4	MILD STEEL	
5	MILD STEEL	1/2" x 3"
6	MILD STEEL	
7	BRASS	
8	MILD STEEL	
9	NEOPRENE	1/4"Ø
10	NEOPRENE	
11	STAINLESS	10-32x3/4" LONG
12	STAINLESS	
13	GLASS	3/4" THK. TEMPERED
14	BRONZE	
15	STAINLESS	
16	BRONZE	
17	STAINLESS	

DIMENSION SCHEDULE						
SIZE:		10	12	14	16	18
DIMS:	A	10	12	14	16	18
	B	12	14	16	18	20
	C	11 7/16	13 7/16	15 7/16	17 7/16	19 7/16

CEN-TEX MARINE FABRICATORS, INC.
 SMITHVILLE, TEXAS
 STEEL WELD IN - FIXED LIGHT w/COVER
 DWG. NO.: 900-B