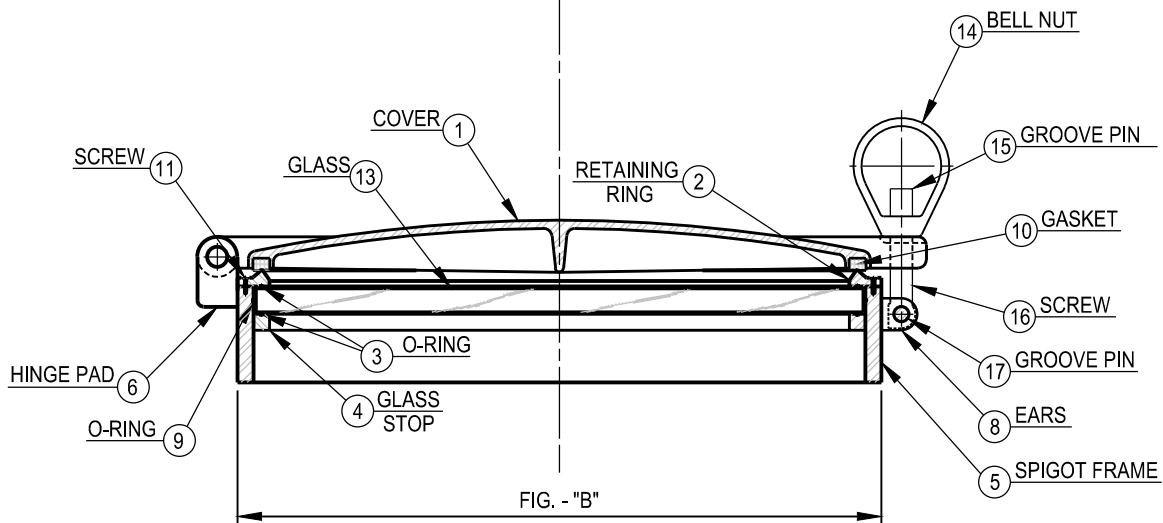


PLAN



SECTION

SCHEDULE OF MATERIALS		
PC.	MATERIAL	REMARKS
1	ALUMINUM	
2	ALUMINUM	
3	NEOPRENE	3/16"Ø
4	ALUMINUM	
5	ALUMINUM	1/2" THICK X 5"
6	ALUMINUM	
7	STAINLESS	
8	ALUMINUM	
9	NEOPRENE	1/4"Ø
10	NEOPRENE	
11	STAINLESS	10-32x3/4" LONG
12	STAINLESS	
13	GLASS	3/4"Thick Monolithic Tempered
14	ALUMINUM	
15	STAINLESS	
16	ALUMINUM	
17	STAINLESS	

DIMENSION SCHEDULE						
SIZE:	10	12	14	16	18	
DIMS:	A	10	12	14	16	18
	B	12	14	16	18	20
	C	11 7/16	13 7/16	15 7/16	17 7/16	19 7/16

**CEN-TEX MARINE FABRICATORS, INC.**  
 SMITHVILLE, TEXAS  
 ALUMINUM WELD IN - FIXED LIGHTS  
 DWG. NO.: 900-A