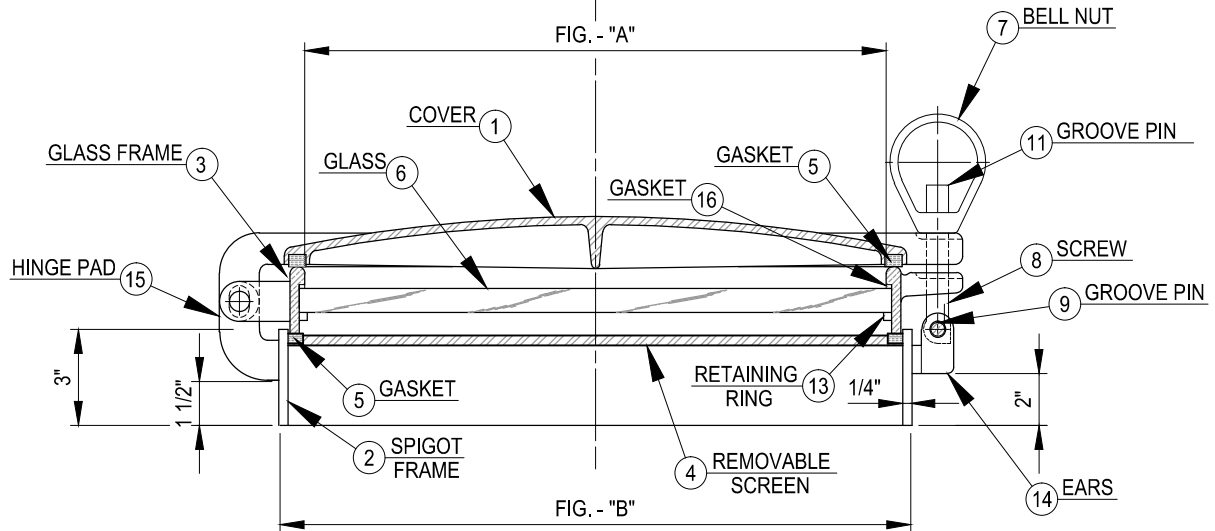


PLAN



SECTION

SCHEDULE OF MATERIALS		
PC.	MATERIAL	REMARKS
1	ALUMINUM	
2	STEEL	
3	BRASS	
4	BRASS	
5	NEOPRENE	
6	GLASS	
7	BRASS	
8	BRASS	
9	STAINLESS	
10	BRASS	
11	STAINLESS	
12	STAINLESS	
13	BRASS	
14	MILD STEEL	
15	MILD STEEL	
16	NEOPRENE	

DIMENSION SCHEDULE							
SIZE:		8	10	12	14	16	18
DIMS:	A	8	10	12	14	16	18
	B	9-1/2	11-1/2	13-1/2	15-1/2	17-1/2	19-1/2

CEN-TEX MARINE FABRICATORS, INC.
 SMITHVILLE, TEXAS
 BRASS PORTLIGHT - WELD IN
 DWG. NO.: 700-B