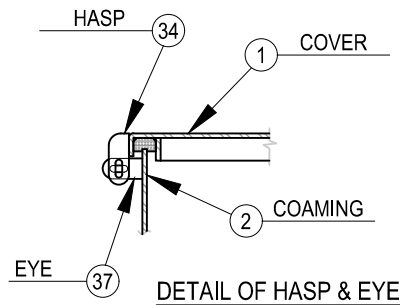
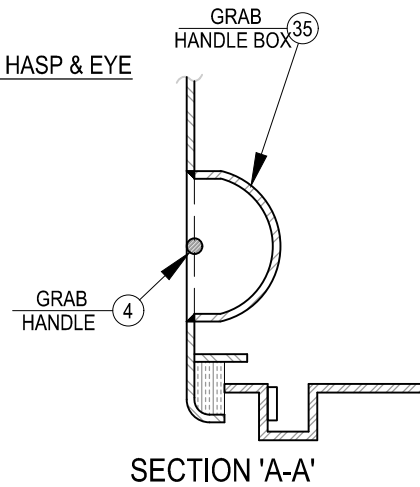


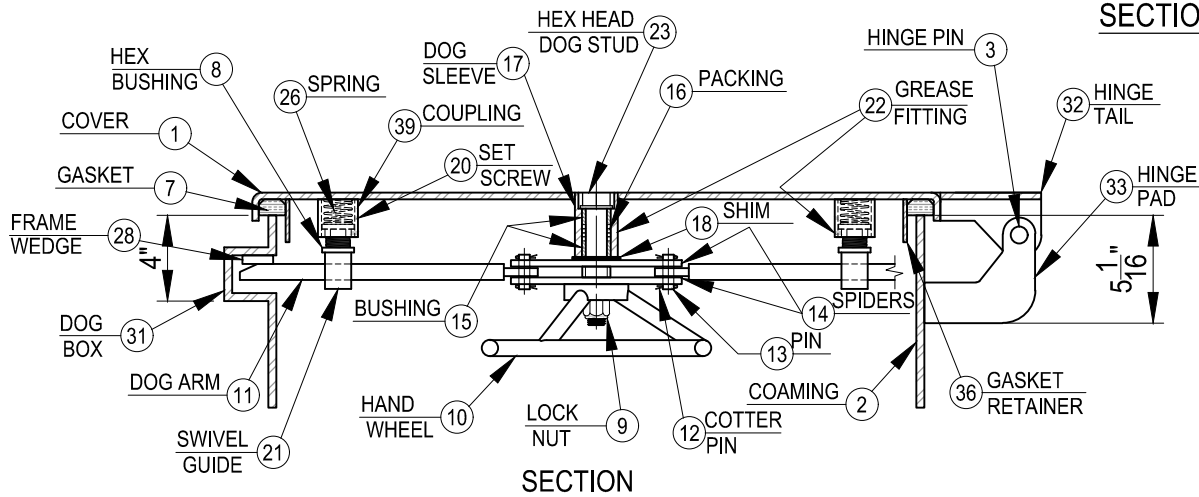
PLAN



DETAIL OF HASP & EYE



SECTION 'A-A'



SECTION

SCHEDULE OF MATERIALS			SCHEDULE OF MATERIALS		
PC.	MATERIAL	REMARKS	PC.	MATERIAL	REMARKS
33	MILD STEEL		1	MILD STEEL	
34	MILD STEEL		2	MILD STEEL	
35	MILD STEEL		3	COLD FINISH	
36	MILD STEEL		4	MILD STEEL	
37	MILD STEEL		5	STAINLESS	
38	STAINLESS	316L	6	MILD STEEL	
39	MILD STEEL		7	NEOPRENE	

8	BRASS	
9	PLATED STEEL	
10	MILD STEEL	
11	COLD FINISH	
12	STAINLESS	
13	BRASS	
14	MILD STEEL	
15	DELTRIN	
16	TEFLON	
17	MILD STEEL	
18	STAINLESS	
19	STAINLESS	
20	PLATED STEEL	
21	BRASS	
22	PLATED STEEL	
23	BRASS	
24	STAINLESS	
25	MILD STEEL	
26	SPRING STEEL	
27	PLATED STEEL	
28	MILD STEEL	
29	MILD STEEL	
30	MILD STEEL	
31	MILD STEEL	
32	MILD STEEL	

<i>CEN-TEX MARINE FABRICATORS, INC.</i>		#/O#
SMITHVILLE, TEXAS		
RAISED WATERTIGHT SCUTTLE w/SPRING & FLUSH COVER		
DWG. NO.: 410-MS		