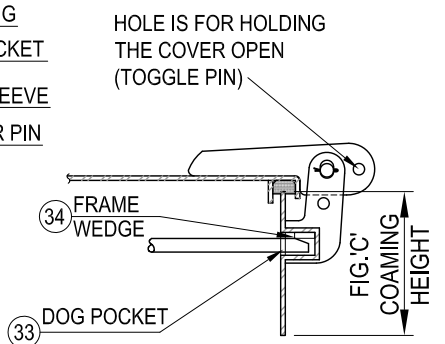
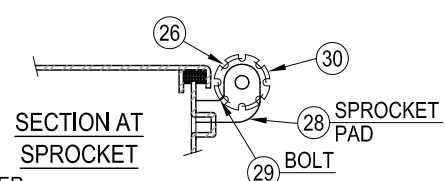


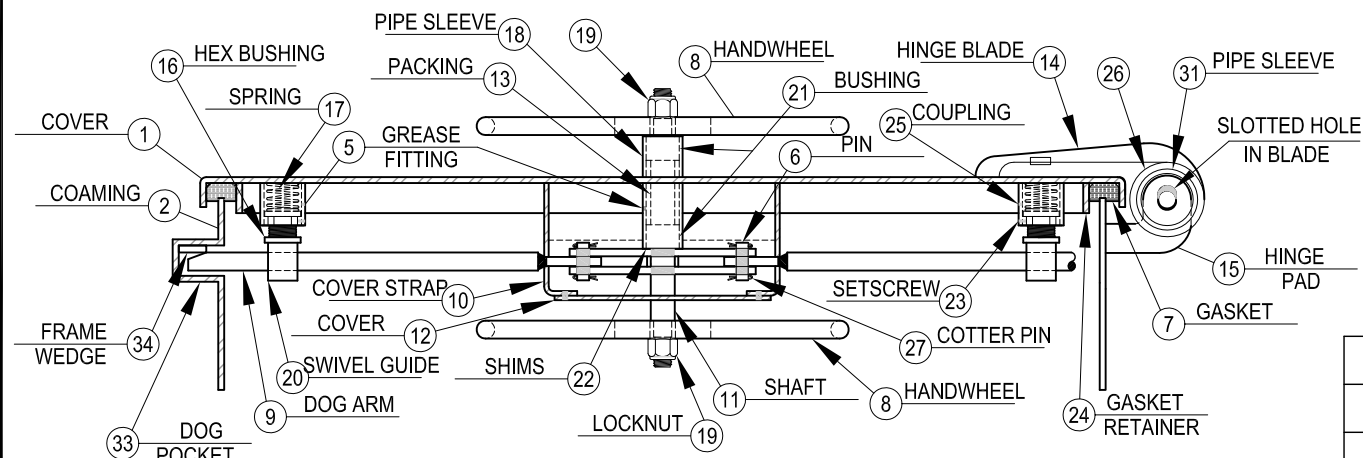
PLAN

31	STEEL
32	MILD STEEL
33	MILD STEEL
34	MILD STEEL
35	MILD STEEL
36	MILD STEEL
37	MILD STEEL
38	MILD STEEL



SECTION 'X-X'

SCHEDULE OF MATERIALS		
PC.	MATERIAL	REMARKS
1	MILD STEEL	
2	MILD STEEL	
3	COLD FINISH	
4	STAINLESS	
5	PLATED STEEL	
6	BRASS	
7	NEOPRENE	
8	MILD STEEL	
9	COLD FINISH	
10	MILD STEEL	
11	COLD FINISH	
12	MILD STEEL	
13	TEFLON	
14	MILD STEEL	
15	MILD STEEL	
16	BRASS	
17	PLATED STEEL	
18	STEEL	
19	PLATED STEEL	
20	BRASS	
21	DELTRIN	
22	STAINLESS	
23	PLATED STEEL	
24	MILD STEEL	
25	STEEL	
26	STAINLESS	
27	STAINLESS	
28	MILD STEEL	
29	STEEL	
30	MILD STEEL	



SECTION

CEN-TEX MARINE FABRICATORS, INC.
 SMITHVILLE, TEXAS
 RAISED QUICK ACTING WATERTIGHT SCUTTLE
 W/SPRING ASSIST COVER
 DWG. NO.: 400-MS