

PLAN

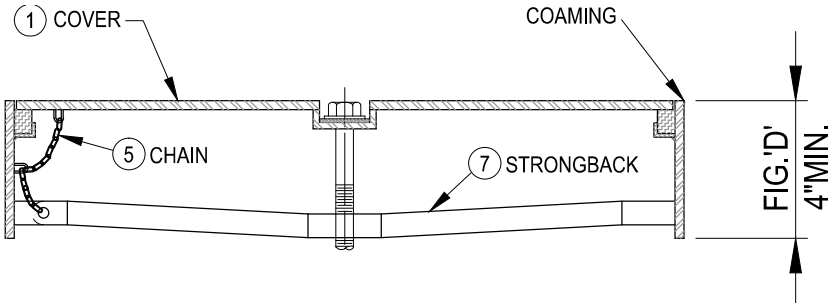
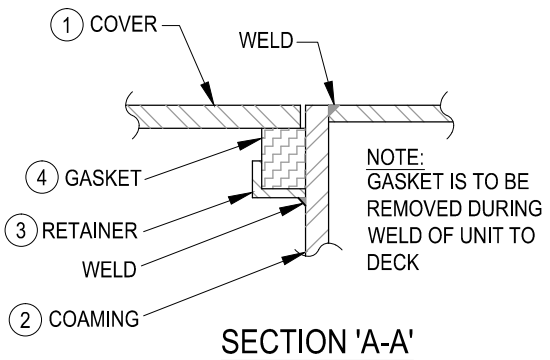
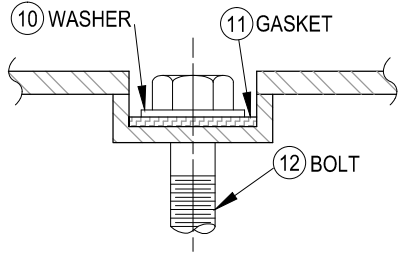


FIG. 'D'
4" MIN.



SECTION 'A-A'



SECTION 'B-B'

| SCHEDULE OF MATERIALS | | |
|-----------------------|--------------|---------|
| PC. | MATERIAL | REMARKS |
| 1 | MILD STEEL | |
| 2 | MILD STEEL | |
| 3 | MILD STEEL | |
| 4 | NEOPRENE | |
| 5 | PLATED STEEL | |
| 6 | STAINLESS | |
| 7 | MILD STEEL | |
| 8 | STEEL | |
| 9 | MILD STEEL | |
| 10 | STAINLESS | |
| 11 | NEOPRENE | |
| 12 | STAINLESS | |
| 13 | STAINLESS | |

| DIMENSION SCHEDULE | | | | |
|--------------------|-----|-----|---------|---------|
| CLEAR OPENING | A | B | C | D |
| 15" X 23" | 15" | 23" | 17-1/4" | 25-1/4" |
| 16" X 23" | 16" | 23" | 18-1/4" | 25-1/4" |
| 18" X 24" | 18" | 24" | 20-1/4" | 26-1/4" |

CEN-TEX MARINE FABRICATORS, INC.
 SMITHVILLE, TEXAS
 OVAL SINGLE BOLT MANHOLE
 DWG. NO.: 307-MS