

PLAN

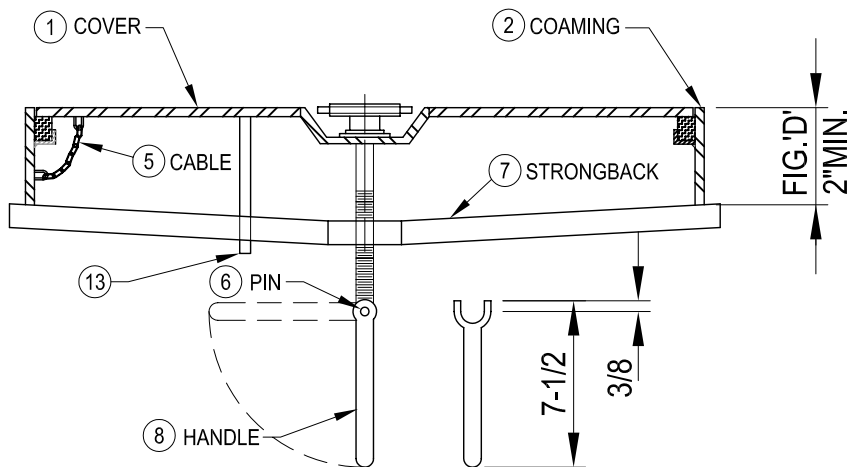
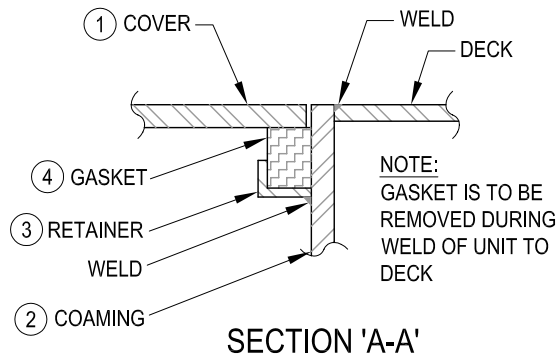


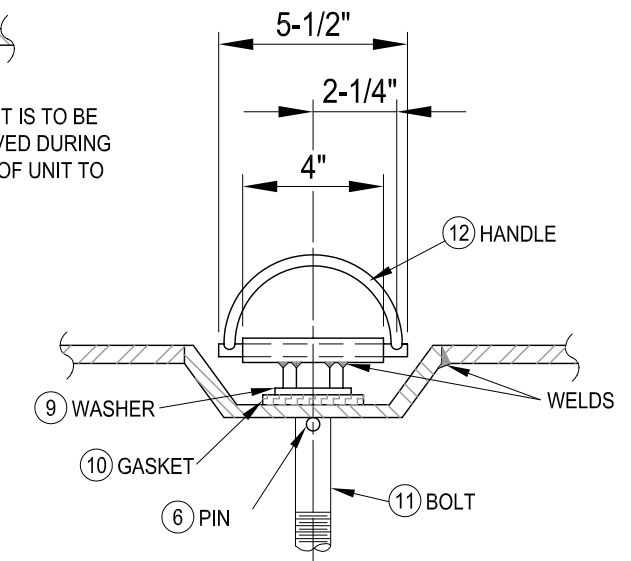
FIG. 'D'
2" MIN.

NOTE:

- 20" O.D. — 17-3/4" I.D.
- 21" O.D. — 18-3/4" I.D.
- 22" O.D. — 19-3/4" I.D.
- 24" O.D. — 21-3/4" I.D.



SECTION 'A-A'



SECTION 'B-B'

SCHEDULE OF MATERIALS		
PC.	MATERIAL	REMARKS
1	MILD STEEL	
2	MILD STEEL	
3	MILD STEEL	
4	NEOPRENE	
5	PLATED STEEL	
6	STAINLESS	
7	MILD STEEL	
8	MILD STEEL	
9	STAINLESS	
10	NEOPRENE	
11	STAINLESS	
12	MILD STEEL	
13	MILD STEEL	

CEN-TEX MARINE FABRICATORS, INC.

SMITHVILLE, TEXAS

SINGLE BOLT MANHOLE W/FOLD DOWN HANDLE

DWG. NO.: 305-MS