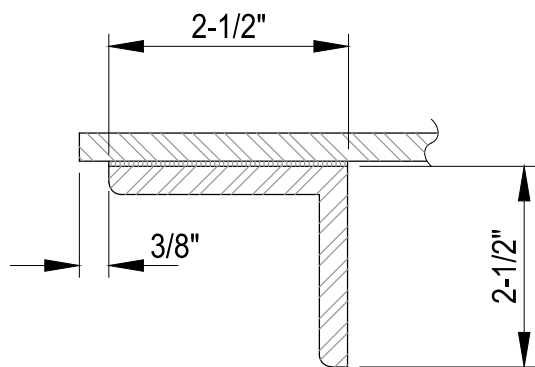
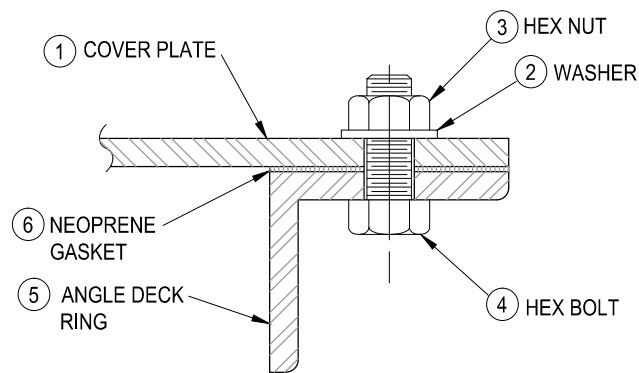


PLAN

PLAN



SECTION B-B



SECTION A-A

SCHEDULE OF MATERIALS

PC.	MATERIAL	REMARKS
1	STEEL	
2	STEEL PLATED	
3	STEEL PLATED	
4	STEEL PLATED	
5	STEEL	
6	NEOPRENE	

DIMENSION SCHEDULE

CLEAR OPENING	A	B	C	D	No. HOLES
15" X 23"	15"	23"	20"	28-3/4"	21
16" X 23"	16"	23"	21"	28-3/4"	21
18" X 23"	18"	23"	23"	28-3/4"	21
18" X 24"	18"	24"	23"	29-3/4"	21

CEN-TEX MARINE FABRICATORS, INC.

SMITHVILLE, TEXAS

RAISED BOLTED PLATE MANHOLE

DWG. NO.: 302-MS