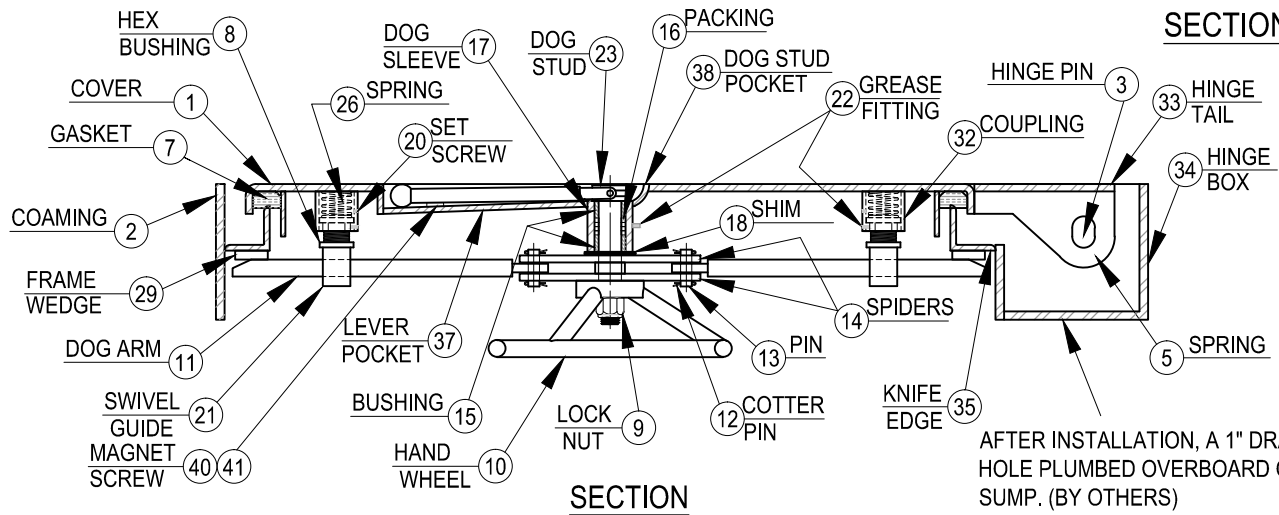
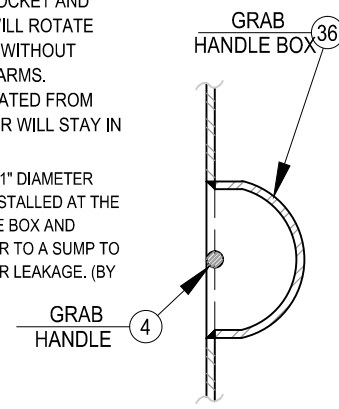


SCHEDULE OF MATERIALS			SCHEDULE OF MATERIALS		
PC.	MATERIAL	REMARKS	PC.	MATERIAL	REMARKS
32	MILD STEEL		1	MILD STEEL	
33	MILD STEEL		2	MILD STEEL	3/8" THK. x 6" TALL
34	MILD STEEL		3	COLD FINISH	
35	MILD STEEL		4	MILD STEEL	
36	MILD STEEL		5	STAINLESS (17-7)	
37	MILD STEEL		6	MILD STEEL	
38	MILD STEEL		7	NEOPRENE	
39	STAINLESS	316L	8	BRASS	
40	COATED MAGNET		9	PLATED STEEL	
41	STAINLESS		10	MILD STEEL	
42	STAINLESS		11	COLD FINISH	
43	STAINLESS		12	STAINLESS	
			13	BRASS	
			14	MILD STEEL	
			15	DELTRIN	
			16	TEFLON	
			17	MILD STEEL	
			18	STAINLESS	
			19	STAINLESS	
			20	PLATED STEEL	
			21	BRASS	
			22	PLATED STEEL	
			23	BRASS	
			24	MILD STEEL	
			25	MILD STEEL	
			26	SPRING STEEL	
			27	MILD STEEL	
			28	PLATED STEEL	
			29	MILD STEEL	
			30	MILD STEEL	
			31	MILD STEEL	

NOTES:

- HATCH IS DESIGNED TO BE OPERATED FROM BELOW INDEPENDENTLY OF TOP LEVER.
- TO OPERATE HATCH FROM ABOVE, LIFT LEVER FROM FLUSH POCKET AND ROTATE. THE LEVER WILL ROTATE BACK TO THE POCKET WITHOUT OPERATING THE DOG ARMS.
- WHEN HATCH IS OPERATED FROM BELOW, THE TOP LEVER WILL STAY IN THE LEVER POCKET
- AFTER INSTALLATION, A 1" DIAMETER DRAIN HOLE MUST BE INSTALLED AT THE LOW POINT IN THE HINGE BOX AND DRAINED OVERBOARD OR TO A SUMP TO PREVENT CORROSION OR LEAKAGE. (BY OTHERS)



<i>CEN-TEX MARINE FABRICATORS, INC.</i>		#/S
SMITHVILLE, TEXAS		
FLUSH QUICK ACTING WATERTIGHT HATCH WITH FLUSH LEVER & RECESSED SPRING		
DWG. NO.: 225-MS		

AFTER INSTALLATION, A 1" DRAIN HOLE PLUMBED OVERBOARD OR SUMP. (BY OTHERS)