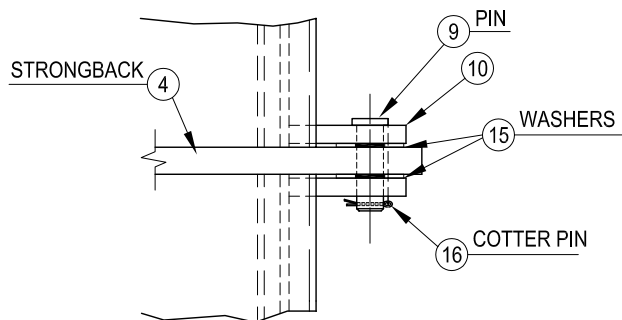


ELEVATION



DETAIL OF HINGE

SCHEDULE OF MATERIALS

PC.	MATERIAL	REMARKS
1	BRASS	
2	BRASS	
3	BRASS	
4	BRASS	
5	BRASS	
6	BRASS	
7	BRASS	
8	NEOPRENE	
9	BRASS	
10	MILD STEEL	
11	MILD STEEL	
12	BRASS	
13	BRASS	ST. STL. & STEEL WIRE
14	MILD STEEL	
15	BRASS	
16	STAINLESS	
17	BRASS	
18	BRASS	
19	STEEL	

CEN-TEX MARINE FABRICATORS, INC.

SMITHVILLE, TEXAS

ULLAGE HATCH

DWG. NO.: 220-MS