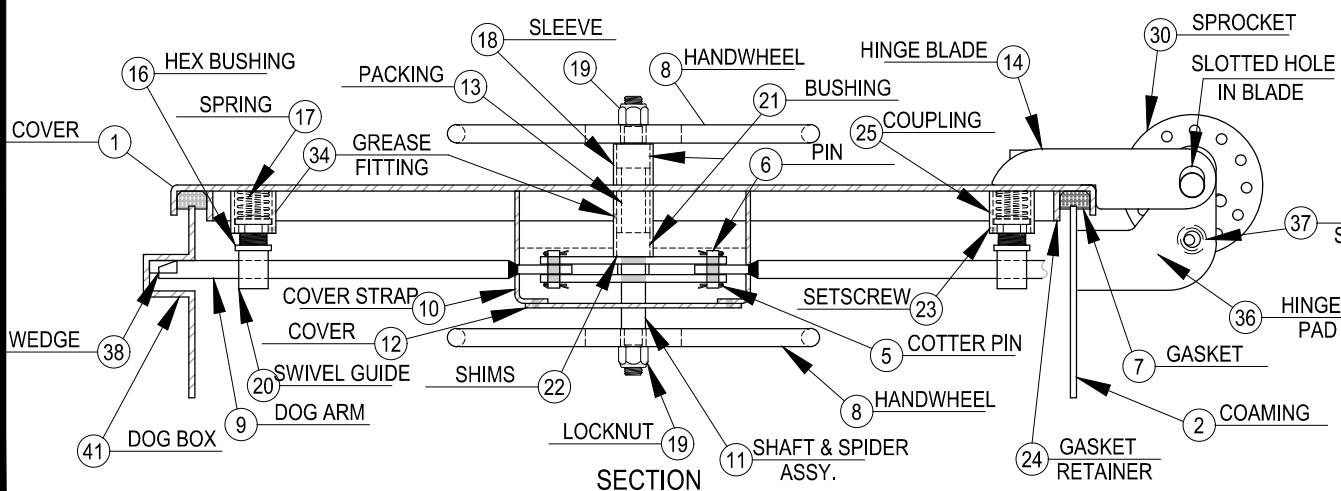
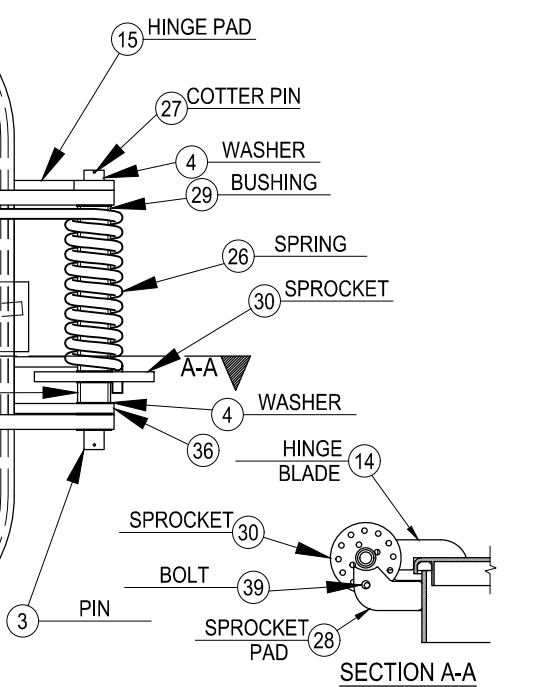
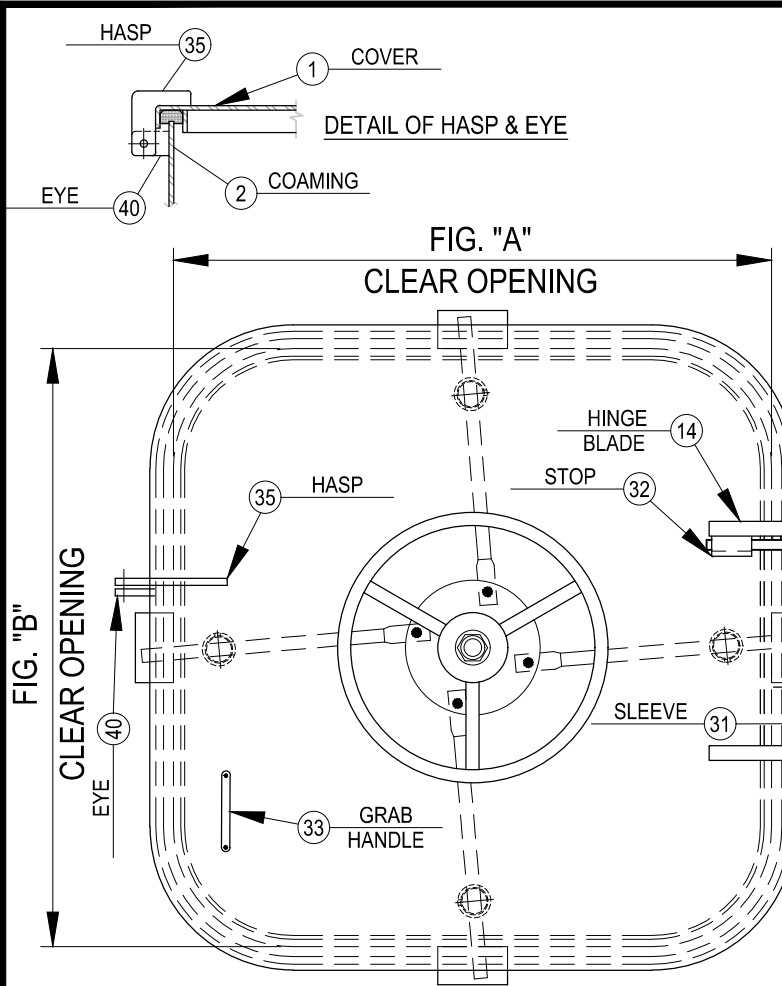


33	MILD STEEL	
34	PLATED STEEL	
35	MILD STEEL	
36	MILD STEEL	
37	MILD STEEL	
38	MILD STEEL	
39	STAINLESS	
40	MILD STEEL	
41	MILD STEEL	

SCHEDULE OF MATERIALS		
PC.	MATERIAL	REMARKS
1	MILD STEEL	
2	MILD STEEL	
3	COLD FINISH	
4	STAINLESS	
5	STAINLESS	
6	BRASS	
7	NEOPRENE	
8	MILD STEEL	
9	MILD STEEL	
10	MILD STEEL	
11	COLD FINISH	
12	MILD STEEL	
13	TEFLON	
14	MILD STEEL	
15	MILD STEEL	
16	BRASS	
17	PLATED STEEL	
18	MILD STEEL	
19	PLATED STEEL	
20	BRASS	
21	DELTRIN	
22	STAINLESS	
23	PLATED STEEL	
24	MILD STEEL	
25	MILD STEEL	
26	STAINLESS	
27	STAINLESS	
28	MILD STEEL	
29	BRASS	
30	MILD STEEL	
31	MILD STEEL	
32	MILD STEEL	



**CEN-TEX MARINE FABRICATORS, INC.**  
 SMITHVILLE, TEXAS  
 SPRING ASSIST QUICK ACT. WATERTIGHT HATCH  
 DWG. NO.: 202-MS