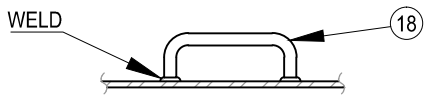


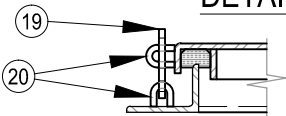
ELEVATION
RIGHT HAND DOOR SHOWN

SCHEDULE OF MATERIALS		
PC.	MATERIAL	REMARKS
31	MILD STEEL	
32	MILD STEEL	

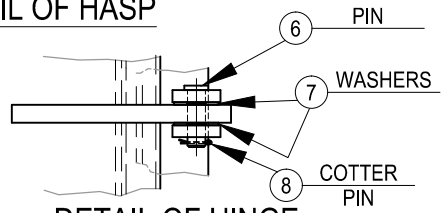
SCHEDULE OF MATERIALS		
PC.	MATERIAL	REMARKS
1	MILD STEEL	
2	MILD STEEL	
3	NEOPRENE	
4	MILD STEEL	
5	MILD STEEL	
6	BRASS	
7	STAINLESS	
8	STAINLESS	
9	FORGED STEEL	
10	FORGED STEEL	
11	TEFLON	
12	MILD STEEL	
13	PLATED STEEL	
14	COLD FINISH	
15	MILD STEEL	
16	PLATED STEEL	
17	OLITE BRONZE	
18	MILD STEEL	
19	MILD STEEL	
20	MILD STEEL	
21	PLATED STEEL	
22	MILD STEEL	
23	OLITE BRONZE	
24	COLD FINISH	
25	FORGED STEEL	
26	BRONZE	
27	MILD STEEL	
28	BRASS	
29	MILD STEEL	
30	STAINLESS	



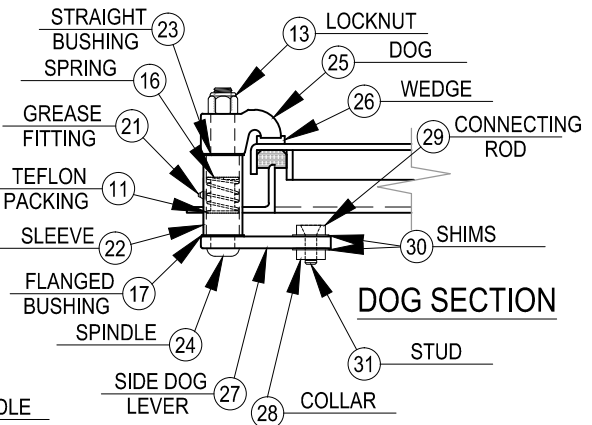
DETAIL OF GRAB HANDLE



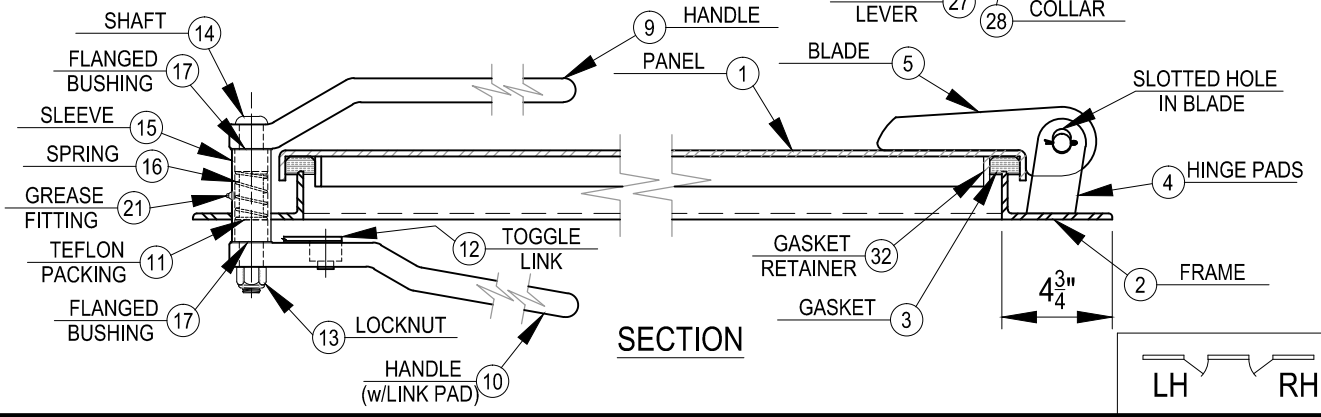
DETAIL OF HASP



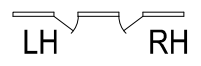
DETAIL OF HINGE



DOG SECTION



SECTION



CEN-TEX MARINE FABRICATORS, INC.
SMITHVILLE, TEXAS
QUICK ACTING LEVER TYPE DOOR
DWG. NO.: 109-MS